

Create without limits.



Adair® Limestone Collection

 **Arriscraft**
Building Stone · Brick · Limestone

Why Adair®?



Jackson Labs, Farmington, CT; Architect: Centerbrook Architects; Product: Masonry Units; Color: Sepia Veined; Finish: Split Face

Adair® Limestone is a quarried stone of exceptional versatility, value and beauty. Extensive fabrication possibilities invite distinctive, innovative and affordable designs. From large dimension stone slabs to standard pre-cut smaller units, the designer is challenged to create without limitations.

Adair® Limestone is a high quality, low absorption dolomitic limestone with extremely high strength and durability.

Be it universities, hospitals, embassies, custom residences, contemporary or classic in design, this strong and exceptional stone encourages strong, exceptional creations.

Arriscraft offers manufacturing, technical and industry leadership with over 45 years of quarry operation experience and capacity exceeding 30,000 metric tons of quarry blocks.

Adair® Limestone has a quarry run range of Blue-Grey or Sepia, offering a truly natural look.

A variegated or veined pattern occurs when the stone is split across the natural bed. The fleuri pattern has a mottled appearance and is created when the stone is split with the natural bed.



Blue-Grey Veined



Sepia Veined



Blue-Grey Fleuri



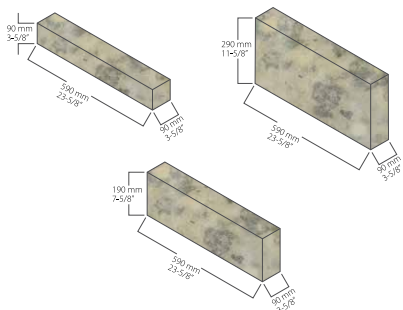
Sepia Fleuri

Finishes available include sawn, fine or medium dressed, bush hammered, polished, sandblast, split face and rocked.

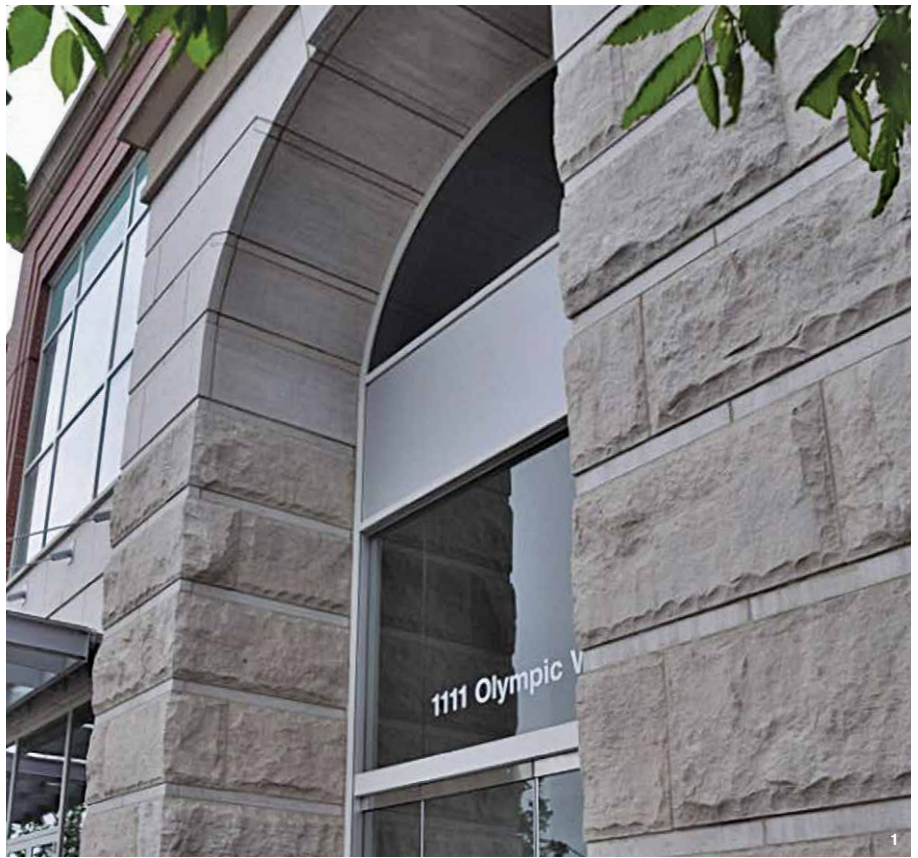
TRADITIONAL MASONRY UNITS

Delivered in nominal 4" bed depth, Adair® Limestone Masonry Units can be installed using traditional unit masonry detailing and construction techniques, resulting in installation efficiencies.

The smooth finishes of Adair® Limestone Masonry Units enhance the natural limestone patterns. The uniform sizes provided with this finish are ideal for coursed ashlar installation. Production efficiencies of this finish make it available at affordable prices, offering traditional limestone at non-traditional prices.



For random ashlar applications, "Adair® Ashlar" is available in rocked and split face textures. Rocked and split face finishes are supplied at random lengths (standard: up to 30" or 750mm, custom: up to 48" or 1200mm). These varying lengths facilitate the installation of a random ashlar pattern. Ends are a combination of split face and sawn finishes.



1. Calgary, AB; Architect: BKDI Architects; Product: Dimension Stone; Color: Sepia; Finish: Split Face and Medium Dressed | 2. Quinte Consolidated Courthouse, Belleville, ON; Architect: Quinn Design Associates; Product: Pavers; Color: Sandblast | 3. Oak Knoll Entry Gate; Architect: Land Design; Product: Landscaping; Color: Sepia

ANCHORED DIMENSION STONE

Anchored dimension stone command attention and are well suited for accents or projects of all sizes. Different size options, along with various cutting and shaping possibilities provide infinite creative options for the designer.

Innovative use of Adair® Limestone is evident in many contemporary and classic styles in prominent structures across North America. Adair® Limestone possesses an intrinsic beauty and provides a sense of grandeur to any design.

TILES

Natural Adair® Limestone is beauty unparalleled and often used for flooring, patio or stair tread applications.

The inherent warmth and strength of Adair® Limestone provides elegance, strength and sophistication in many commercial and institutional settings.

LANDSCAPING

Adair® Limestone is durable and ideal for paving and landscape applications.

Availability in various sizes enables flooring and patio designs not offered in alternate manufacturing stones.

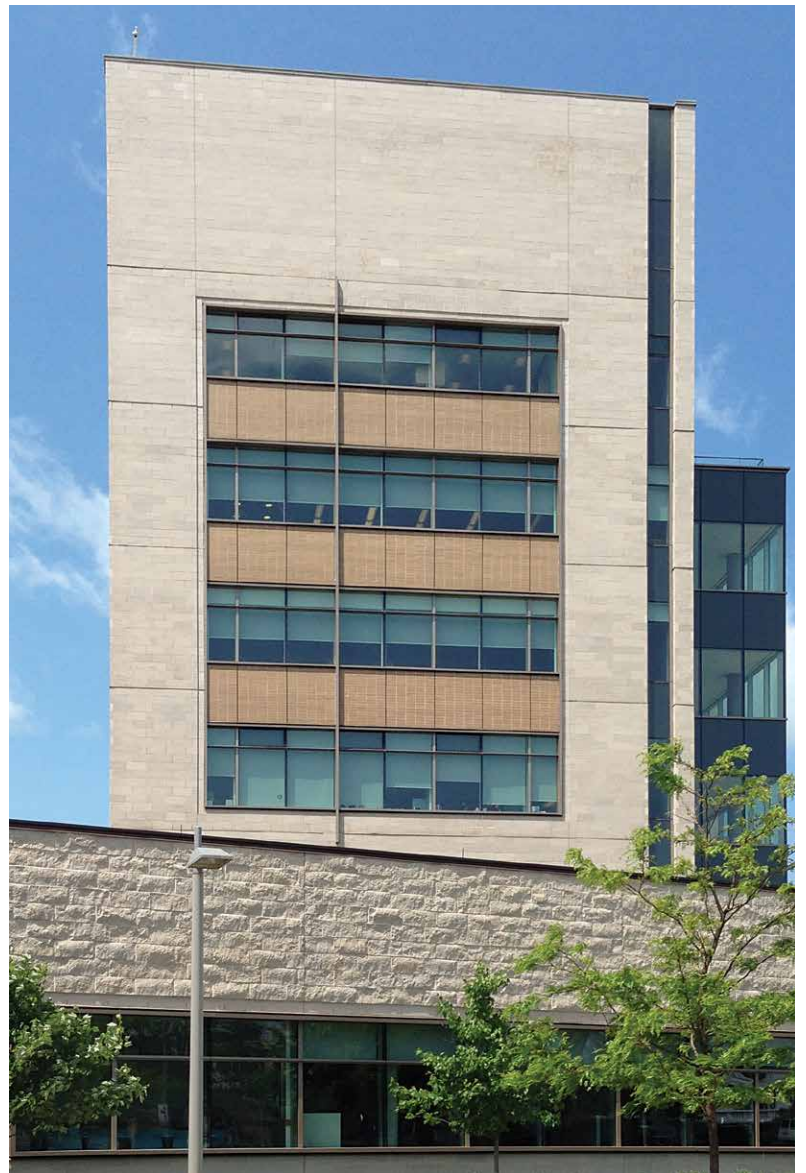
Adair® Limestone is recommended for all at grade applications due to strong salt resistant properties.



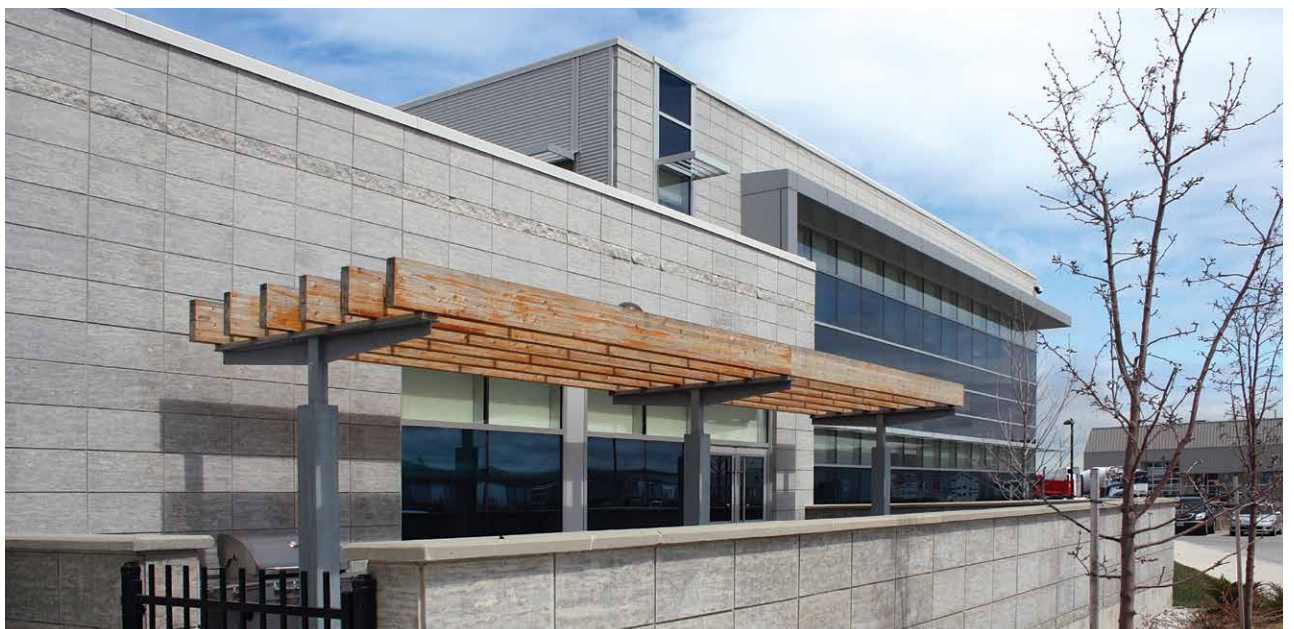
Ronald McDonald House, Montreal, QC; Architect: Manon Renaud Architect; Product: Masonry Units; Color: Sepia Fleuri; Finish: Medium Dressed



St. Mary's Bank Corporate Headquarters, Manchester, NH; Architect: Lavallee Brensinger Architects; Product: Masonry Units; Color: Blue-Grey Veined; Finish: Fine Dressed with Split Face retaining wall



Quinte Consolidated Courthouse, Belleville, ON; Architect: WZMH Architect; Product: Masonry Units; Color: Sepia Veined; Finish: Split Face and Medium Dressed



Union Gas Hamilton District Office and Technical Training Centre, Stoney Creek, ON; Architect: WalterFedy; Product: Masonry Units; Color: Blue-Grey Veined; Finish: Fine Dressed



National Museum of Health and Medicine, Silver Spring, MD; Architect: KlingStubbins; Product: Masonry Units; Color: Sepia Veined; Finish: Fine Dressed



Waterloo Region Museum, Kitchener, Product: Dimension Stone; Color:



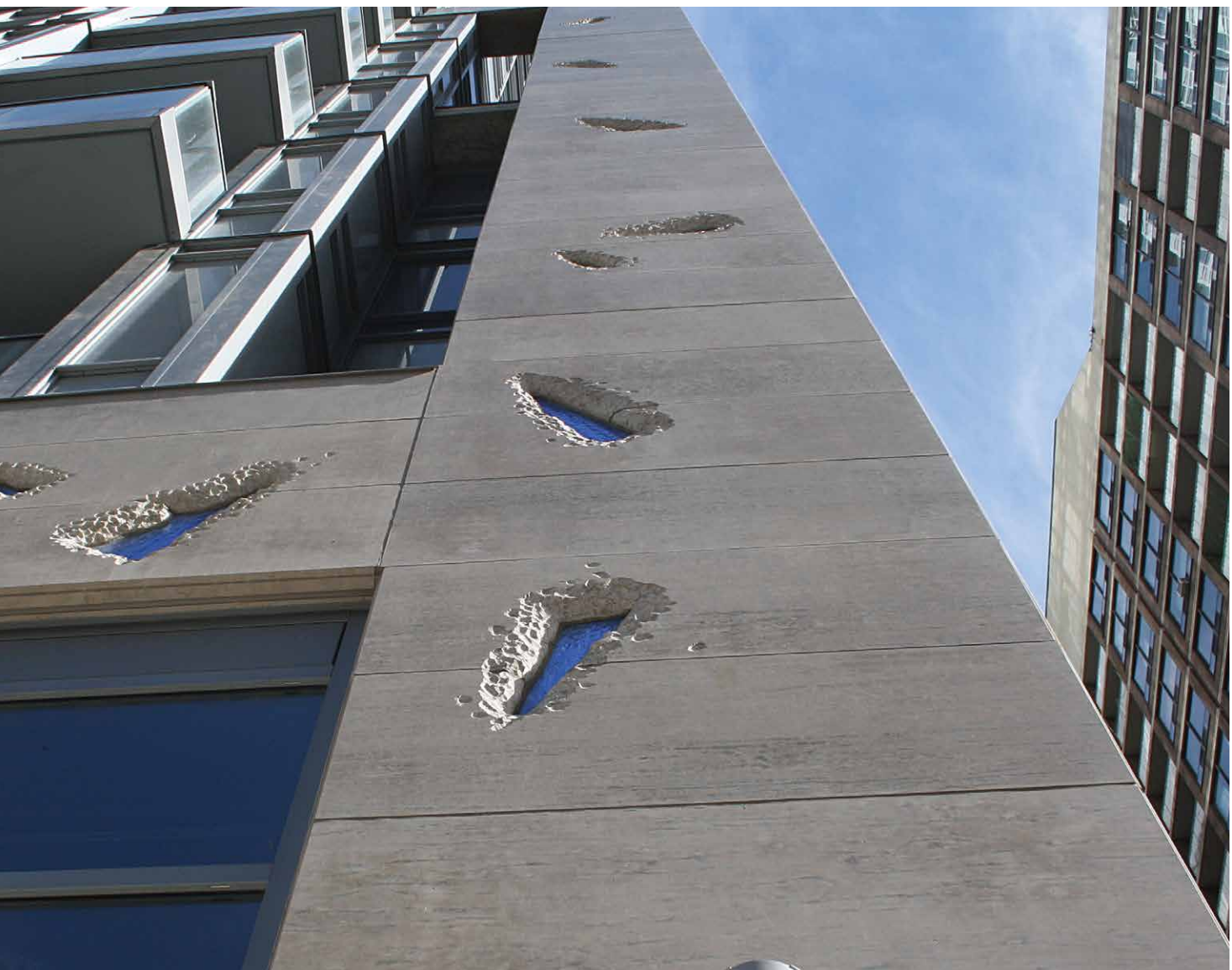
Crystal Blu Condos, Toronto, ON;



ON; Architects: Moriyama & Teshima Architects, The Walter Fedy Partnership;
Sepia; Finish: Split Face



Holy Trinity Catholic School - Sarnia, ON; Architect:
Randy Wilson Architect Inc. of London; Product:
Masonry Units; Color: Blue Grey Veined; Finish: Fine
Dressed and Split Face



Architect: Burka Varacalli Architects; Product: Dimension Stone; Color: Sepia Veined; Finish: Fine Dressed

About Arriscraft

Arriscraft manufactures a vast range of premium stone for commercial and residential projects, including full-bed Building Stone, Renaissance® Masonry Units, thin-clad adhered and clipped veneers, Adair® Limestone, and cast accessories.

Cambridge, Ontario Plant

875 Speedsville Road
Cambridge, Ontario, Canada
N3H 4S8

Toll Free: 800-265-8123

Email: solutions@arriscraft.com

Fort Valley, Georgia Plant

6054 Zenith Mill Road, Arriscraft Lane
Fort Valley, Georgia, USA
31030

Phone: 478-827-1896

Fax: 478-827-1897



Residential Project; **Product:** Masonry Units; **Color:** Sepia Fleuri; **Finish:** Split Face and Medium Dressed

PHYSICAL PROPERTIES

Adair® Limestone possesses exceptionally high strength and low absorption. It exceeds the requirements of ASTM C568-03, Standard Specification for Limestone Dimension Stone; Class III – High Density.

IMPORTANT NOTES

Colors and textures have been reproduced as closely as the printing process allows. Final selection should be made from actual samples. Adair® Limestone must be installed using industry recommended materials and techniques and conform to all related building code requirements. All masonry products are intended for above-grade installations. Proper care, installation and cleaning are required for warranty validation. Please visit www.arriscraft.com, and refer to Arriscraft•DATA 04435 - Adair® Limestone for complete details, and Arriscraft•CARE for Storage and Handling recommendations.



Arriscraft is the stone products group of General Shale, the North American subsidiary of Wienerberger AG and a leading manufacturer of brick, one of the world's oldest green building materials.

ON THE COVER

Montreal Symphony Orchestra, Montreal, QC;

Architect: Diamond Schmitt and Aedifica;

Product: Dimension Stone; **Color:** Blue Grey Veined;

Finish: Bush Hammered

FPO
FSC Logo

www.arriscraft.com

 **Arriscraft**
Building Stone · Brick · Limestone